

FRU List

This topic provides a list of field replaceable units for the printer.

Changes to Xerox instruments are made to accommodate improved components as they become available. It is important when ordering parts to include the following information:

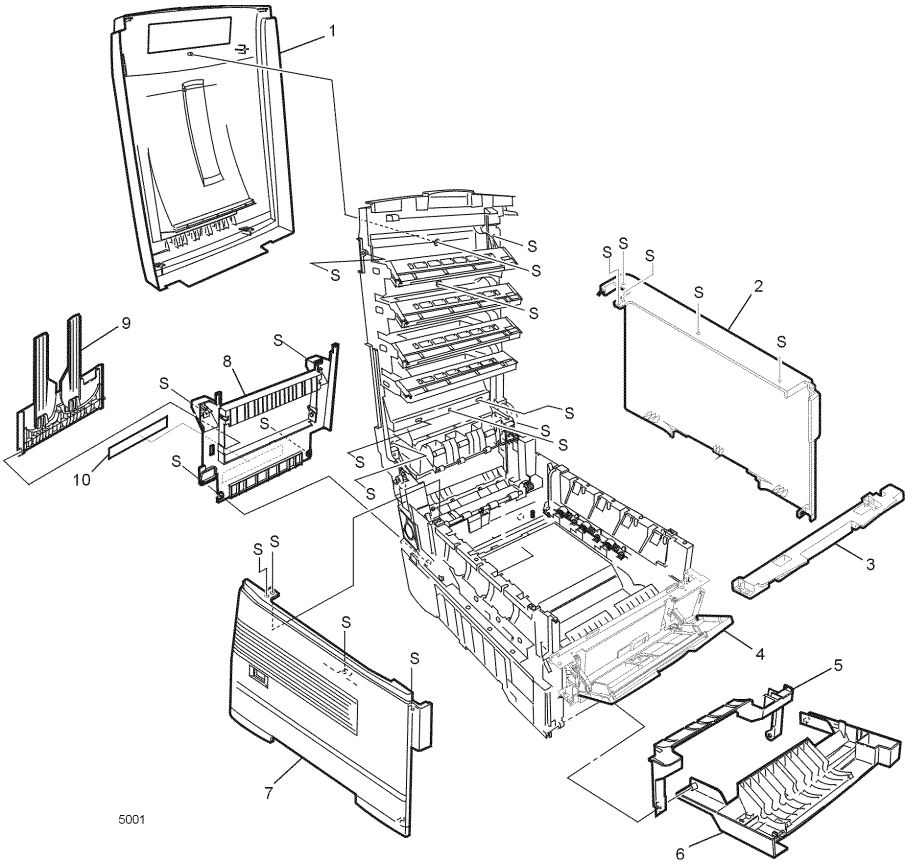
- Component's part number.
- Instrument type or number.
- Instrument serial number.
- Modification number, if any.

Using the parts list

- The numbers shown in each illustration correspond to the parts list number for that illustration.
- The capital letters "C", "E", and "S" shown in an illustration stand for C-ring, E-ring, and Screw, respectively.
- A shaded triangle in an illustration indicates the item is part of an assembly.
- The notation "with X~Y" following an part name indicates an assembly that is made up of components X through Y. For example, "1 (with 2~4)" means part 1 consists of part 2, part 3, and part 4.
- An asterisk * following a part name indicates the page contains a note about this part.
- The notation "J1<->J2 and P2" is attached to a wire harness. It indicates that connector jack 1 is attached to one end of the wire harness and connector jack 2 is attached to the other end that is plugged into plug 2.
- A notation "(part of item 1.1)" indicates that the part is included with item 1.2.1 (PL1.2, line item 1).

Table 1 FRU parts list of the printer cabinet

Fig 1 parts	Part number	Name and description
1	802E33490	Top Cover
2	802K24020	Right Side Cover
3	802E34550	Multi-sheet Bypass Feeder Assembly Top Cover
4	802K24030	Multi-sheet Bypass Feeder Assembly
5	055K30000	Front Cover Inner Baffle
6	802K24010	Front Cover Assembly
7	802E33510	Left Side Cover
8	802E33500	Rear Cover
9	055K50620	Face Up Tray
10	-----	Label (part of Rear Cover)
S	-----	Screw (part of item Hardware Kit p.n. 600K89010)



5001

Figure 1 Cabinet FRUs

Table 2 FRU part list of the top cover assembly

Fig 2 parts	Part number	Name and description
1	802E33490	Top Cover
2	140E45610	Toner Sensor Board
3	-----	Toner Sensor Actuator (part of Flag Kit, p.n. 600K88990)
4	056E04120	Control Panel Bezel (English)
	056E04660	Control Panel Bezel (Icon)
5	-----	Control Panel Tape Harness (part of Harness Kit, p.n. 600K88980)
6	101K42810	Control Panel Assembly
7	-----	Top Cover Latch Springs (part of item 10)
8	-----	Top Cover Latch (part of item 10)
9	-----	Top Cover Handle (part of item 10)
10	600K88450	Top Cover Inner Frame Kit (includes items 7-9, 20, 21)
11	022E24900	Eject Roller
12	130K65650	Stack Full Sensor w/actuator
13	038K13450	Eject Guide Assembly
14	-----	LED Harness C (part of Harness Kit, p.n. 600K88980)
15	-----	LED Harness M ((part of Harness Kit, p.n. 600K88980)
16	-----	LED Harness Y (part of Harness Kit, p.n. 600K88980)
17	-----	LED Harness K (part of Harness Kit, p.n. 600K88980)
18	-----	LED Assembly Spring (part of Hardware Kit, p.n. 600K89010)
19	107K01920	LED Assembly
20	-----	Lower Eject Roller Bracket (part of item 10)
21	-----	Upper Eject Roller Bracket (part of item 10)
22	-----	26 Pin LED Connector (part of Harness Kit, p.n. 600K88980)

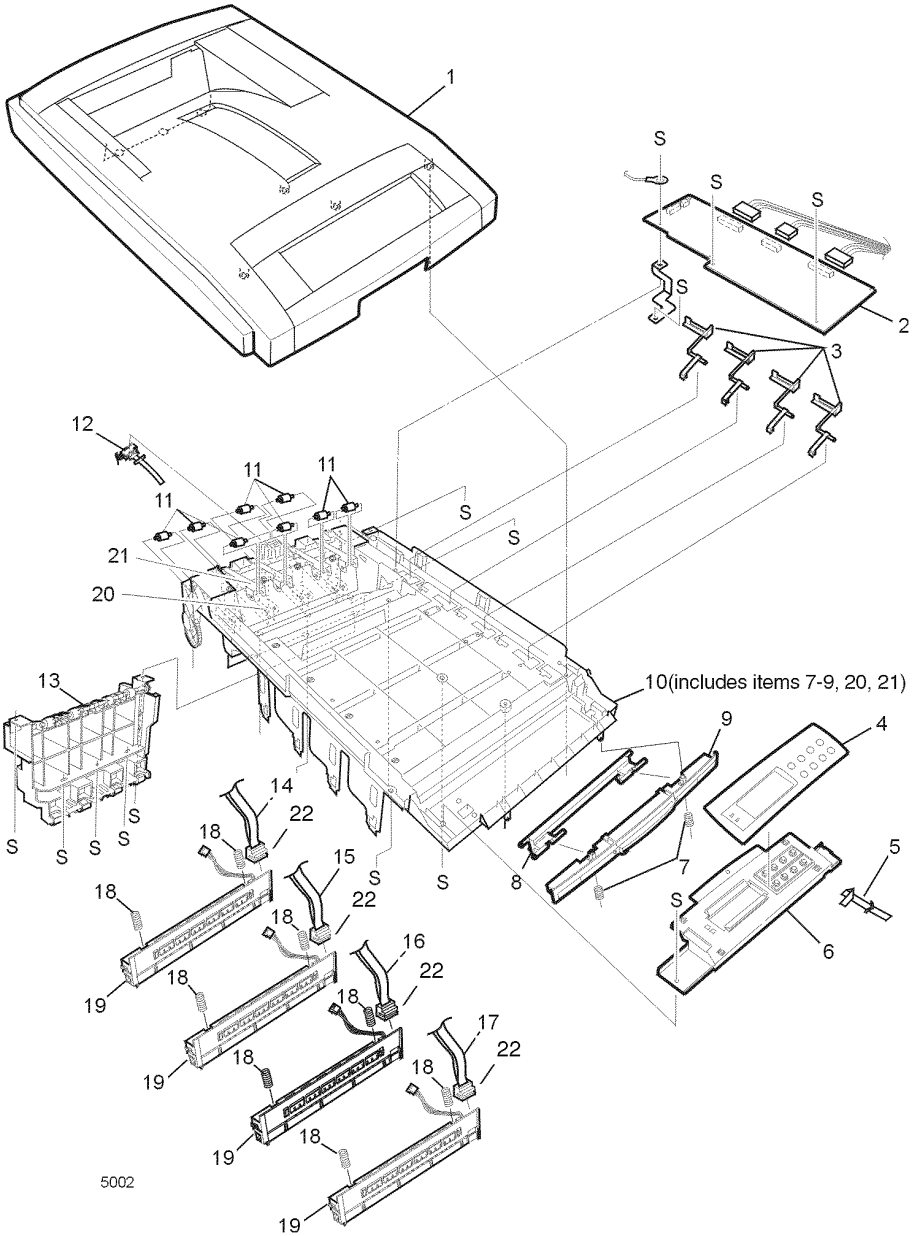


Figure 2 Top cover FRUs

Table 3 FRU part list of the printer chassis (1 of 2)

Fig 3 parts	Part number	Name and description
1	038K13460	Duplex Guide Assembly
2	022E24940	Fuser Exit Roller
3	009K01960	Right Top Cover Spring Assembly
4	-----	Fuser Drive Gear A (part of Gear Kit, p.n. 600K89000)
5	-----	Fuser Drive Gear B (part of Gear Kit, p.n. 600K89000)
6	-----	Fuser Drive Gear C (part of Gear Kit, p.n. 600K89000)
7	-----	Fuser Exit Roller Bushing (Right) (part of Hardware Kit, p.n. 600K89010)
8	115K01970	Drum Contact Assembly
9	115E01970	Fuser Exit Roller Contact
10	121K25800	Duplex Gate Solenoid Assembly
11	022K78610	Registration Roller Assembly A
12	007K11730	Registration Drive Gear A
13	-----	Registration Motor Ground Contact
14	127K35200	Registration Motor Assembly
15	121K25810	Registration Clutch
16	-----	A Registration Exit Sensor Actuator (part of Flag Kit, p.n. 600K88990)
17	-----	A Registration Entrance Sensor Actuator (part of Flag Kit, p.n. 600K88990)
18	600K88480	Entrance Sensor Board w/harness
19	022K78620	Registration Roller Assembly B
20	-----	B Registration Entrance Sensor Actuator (part of Flag Kit, p.n. 600K88990)
21	-----	Waste Toner Sensor Actuator (part of Flag Kit, p.n. 600K88990)
22	101K42820	Printer Unit Chassis
23	130K65680	Color Registration Sensor Assembly
24	127K35230	Main Cooling Fan
25	-----	Fuser Exit Roller Bushing (Left) (part of Hardware Kit, p.n. 600K89010)
26	009K01950	Left Top Cover Spring Assembly
27	-----	Fuser Latching Handle Spring (part of Hardware Kit, p.n. 600K89010)
28	003E55690	Fuser Latching Handle (Left)
29	130K65670	Exit Sensor Assembly
30	815E06790	Registration Shutter Plate
31	121K26000	Registration Shutter Solenoid
32	-----	Shutter Spring (part of Hardware Kit, p.n. 600K89010)
33	116-0992-00	Low-Voltage Power Supply Fan
S	-----	Screw (part of Hardware Kit, p.n. 600K89010)

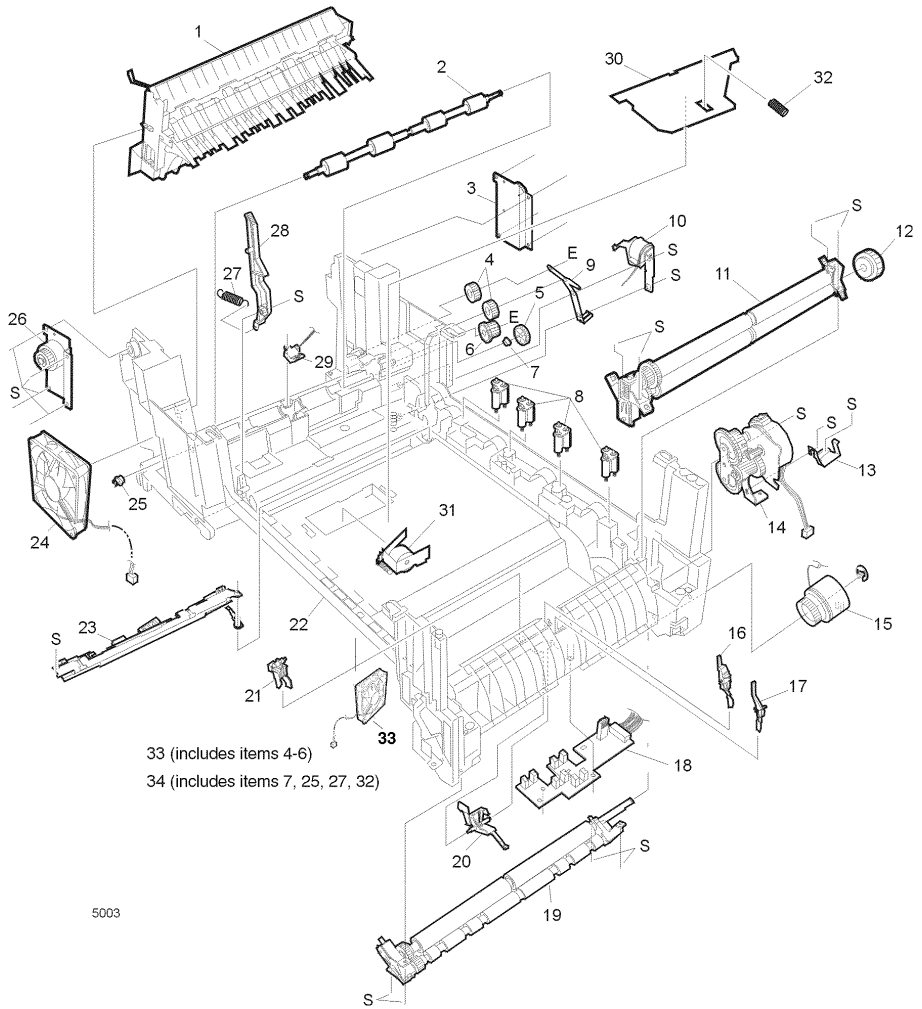
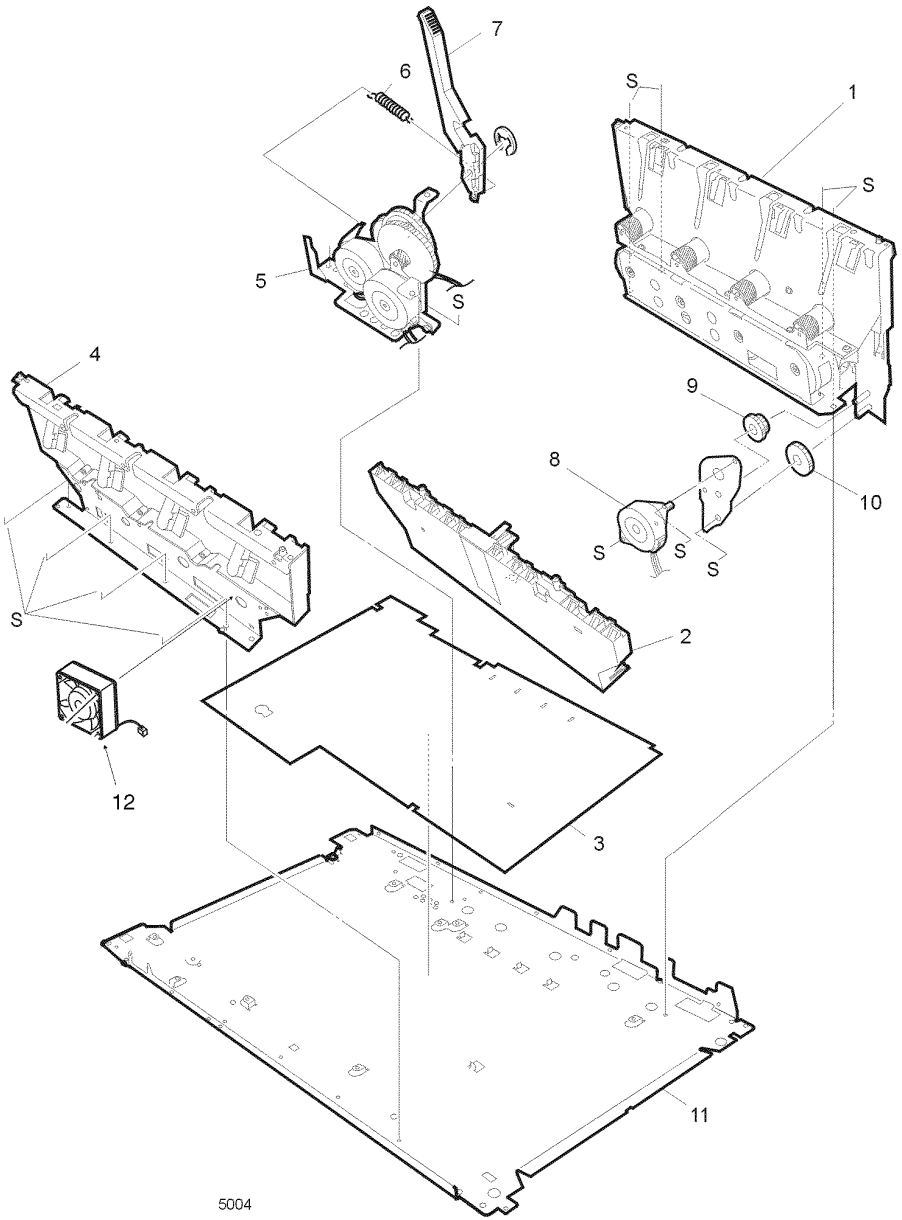


Figure 3 Printer chassis FRUs (1 of 2)

Table 4 FRU of the printer chassis (2 of 2)

Fig 4 parts	Part number	Name and description
1	127K35180	Main Motor Assembly
2	115K02020	Transfer Contact Assembly
3	118E16970	Power Supply Insulation
4	015K55950	Left Plate Assembly
5	127K35190	Transfer Belt Motor Assembly
6	-----	Fuser Latching Handle Spring (part of Hardware Kit, p.n. 600K89010)
7	003E55700	Fuser Latching Handle (Right)
8	127K35170	Main Feeder Drive Motor
9	-----	Gear H1(part of Gear Kit, p.n. 600K89000)
10	-----	Gear H2 (part of Gear Kit, p.n. 600K89000)
11	-----	Lower Plate
12	116-1058-00	High-Voltage Power Supply Fan
S	-----	Screw (part of Hardware Kit, p.n. 600K89010)

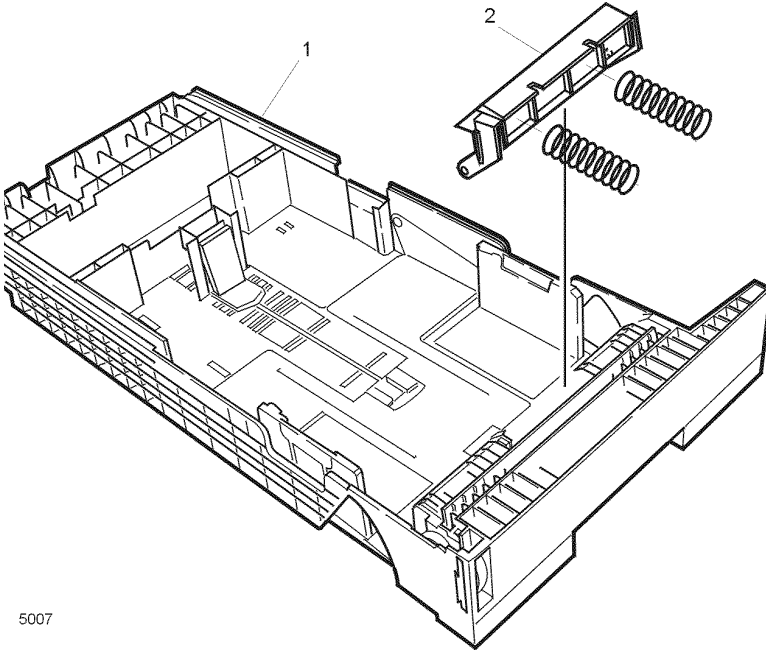


5004

Figure 4 Printer chassis FRUs (2 of 2)

Table 5 FRU of the paper tray

Fig 5 parts	Part number	Name and description
1	050K50630	Paper Tray Cassette
2	600K89020	Retard Pad and Springs Kit



5007

Figure 5 Paper tray FRUs

Table 6 FRU of the paper tray guide

Fig 6 parts	Part number	Name and description
1	032K03330	Paper Tray 1 Right Guide Assembly (includes items 2-10, 15, 20)
2	017E09930	Foot
3	-----	Paper Tray Lift Arm (Right) (part of item 1 and 18)
4	-----	Plastic Roller (part of Hardware Kit, p.n. 600K89010)
5	-----	Paper Tray Lift Spring (part of item 1 & part of item 18)
6	120E20420	Paper Size Actuator
7	140E45620	Paper Size Sensing Board w/Harness
8	-----	Paper Tray Lock (part of item 1 & part of item 18)
9	-----	Paper Tray Lock Spring (part of item 1 & part of item 18)
10	-----	Plastic Slide (part of item 1 and 18)
11	022K78600	Main Feeder Assembly
12	-----	Feed Roller (part of Paper Feed Kit, p.n. 600K89320)
13	-----	Nudger Roller (part of Paper Feed Kit, p.n. 600K89320)
14	-----	Main Feeder Drive Gear (part of Gear Kit, p.n. 600K89000)
15	-----	Right Duplex Ground Contact (part of item 1)
16	-----	Bottom Plate
17	-----	Left Duplex Ground Contact (part of item 18)
18	032K03320	Paper Tray 1 Left Guide Assembly (includes items 2, 4, 5, 8-10, 17, 19)
19	-----	Paper Tray Lift Arm (Left) (part of item 18)
20	-----	Duplex Connector (part of item 1)
S	-----	Screw (part of Hardware Kit, p.n. 600K89010)

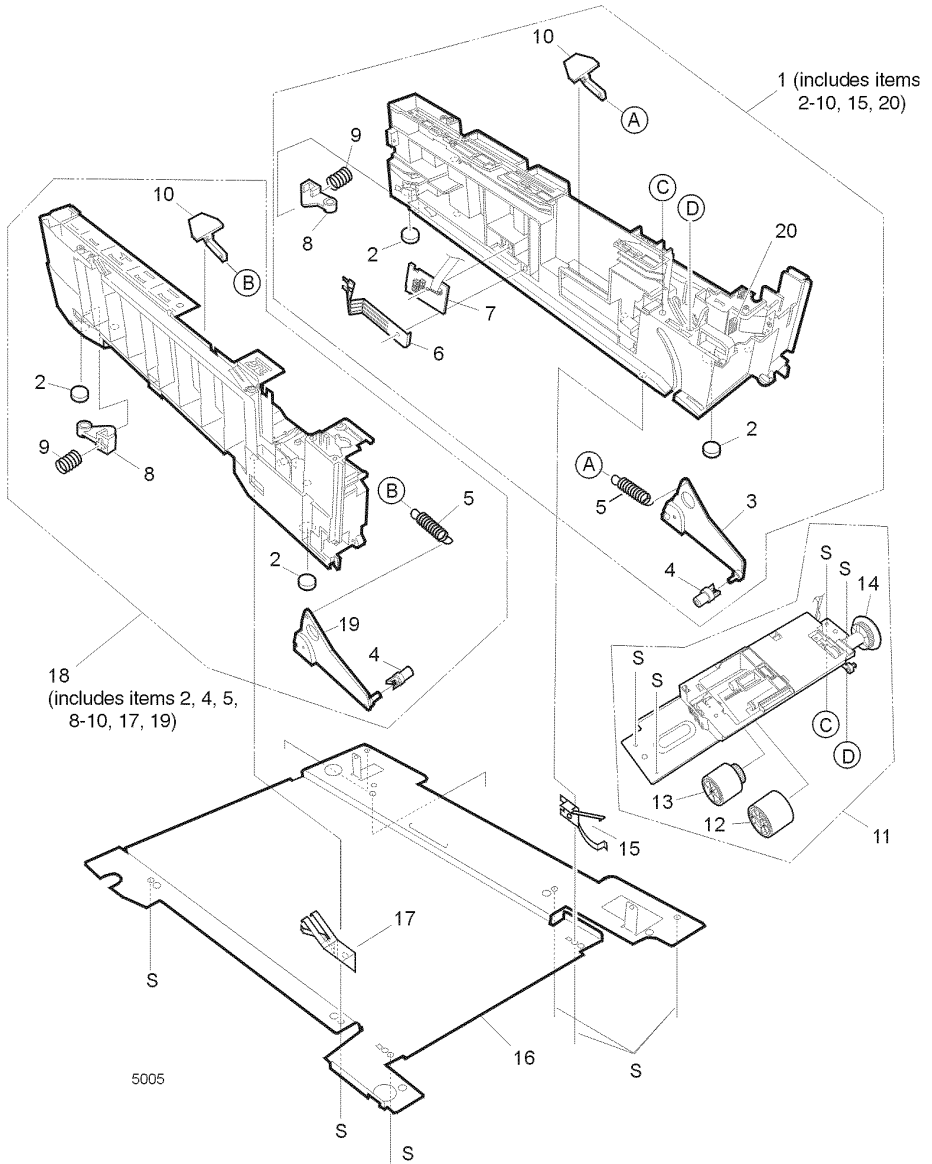
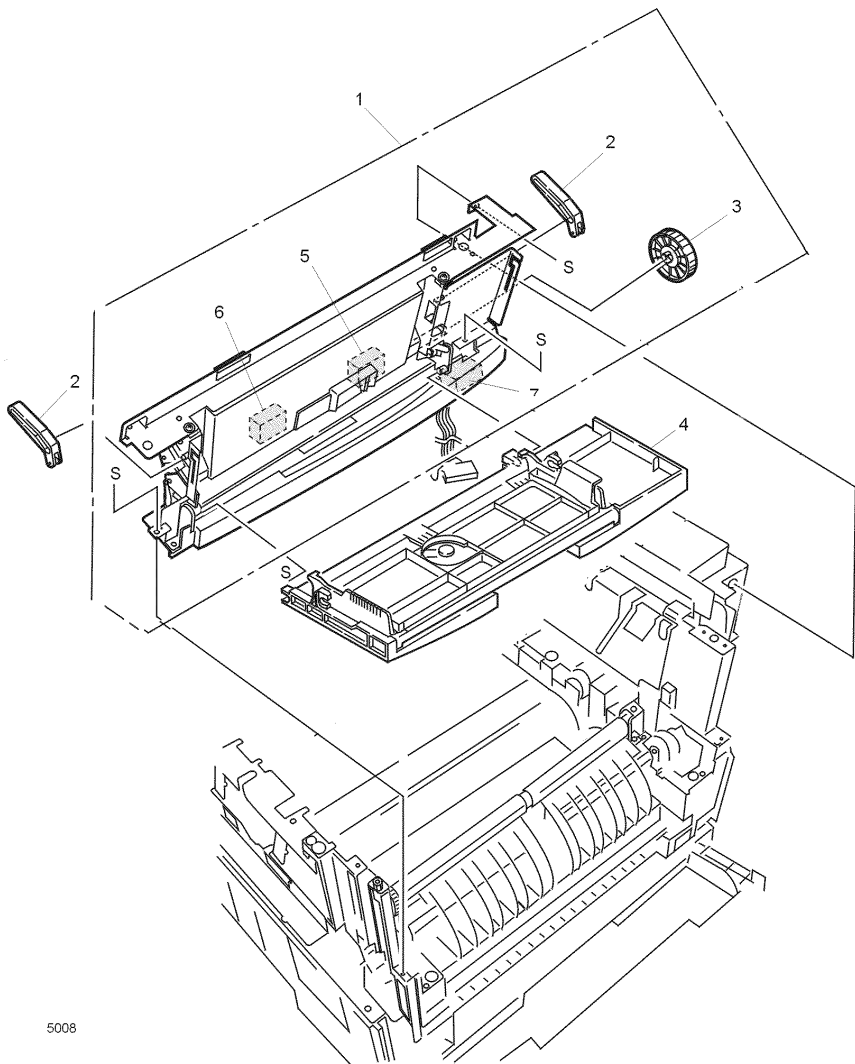


Figure 6 Paper tray guide FRUs

Table 7 FRUS of the multi-sheet bypass feeder

Fig 7 parts	Part number	Name and description
1	022K78630	Multi-sheet Bypass Feeder Assembly
2	012E12690	Link
3	007K11740	Multi-sheet Bypass Feeder Drive Gear
4	802K24030	Multi-sheet Bypass Feeder Cover Assembly
5	-----	Multi-sheet Bypass OHP Sensor (part of item 1)
6	-----	Multi-sheet Bypass Tray Empty Sensor (part of item 1)
S	-----	Screw (part of Hardware Kit, p.n. 600K89010))



5008

Figure 7 Multi-sheet bypass feeder FRUs

Table 8 Electrical components FRUs

Fig 8 parts	Part number	Name and description
1	105K25110	Low Voltage Power Supply (115V)
	105K25130	Low Voltage Power Supply (230V)
2	105K25120	High Voltage Power Supply
3	-----	High Voltage Tape Harness (part Harness Kit, p.n. 600K88980))
4	127K35220	Electrical Chassis Cooling Fan
5	140E45640	Print Engine Controller Board
6	672-1595-00	System Controller Board (Image Processor Board)
7	121K25530	Internal Hard Drive
8	-----	Shield Plate
9	-----	Right Shield Plate
10	110K13470	Front Cover B Interlock Switch
11		
12	110K13450	Top Cover A Interlock Switch
13	162K68220	Paper Tray 2 Connector with Harness
14	098S04423	Token Ring Card
15	537E61970	Print Engine Controller EEPROM
16	156-4811-00	64-Mbyte RAM DIMM
	156-4780-10	128-Mbyte RAM DIMM
	156-4839-00	256-Mbyte RAM DIMM
S	-----	Screw (part of Hardware Kit, p.n. 600K89010)

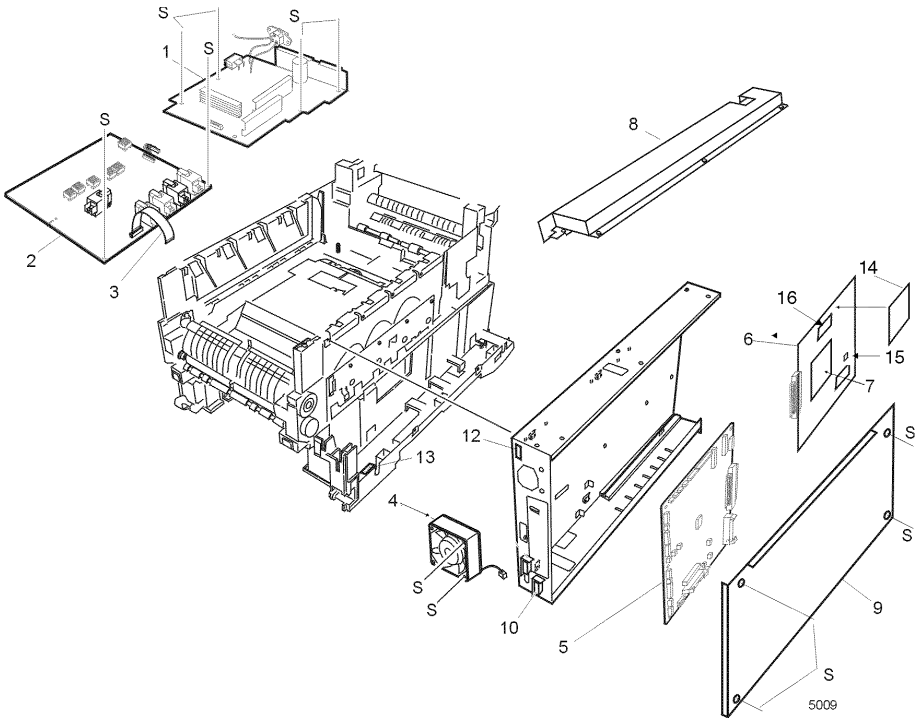


Figure 8 Electrical components FRUs

Table 9 FRUs of the duplexer unit

Fig 9 parts	Part number	Name and description
1	022K78640	Duplexer Transport Assembly

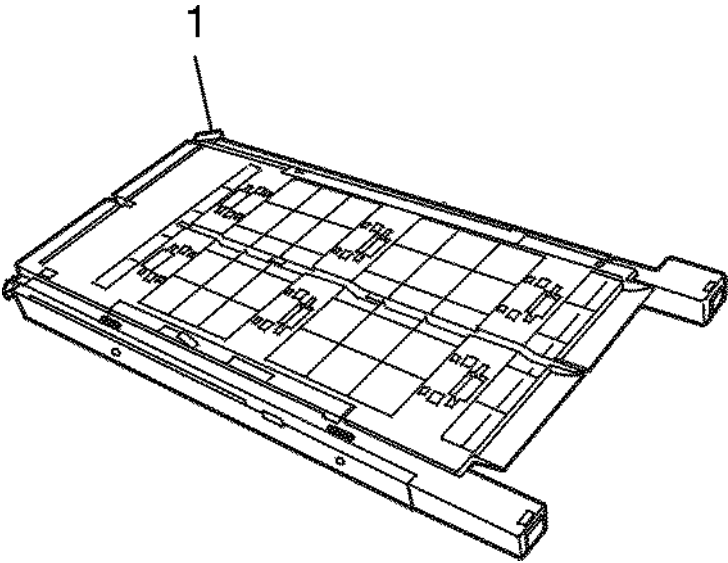
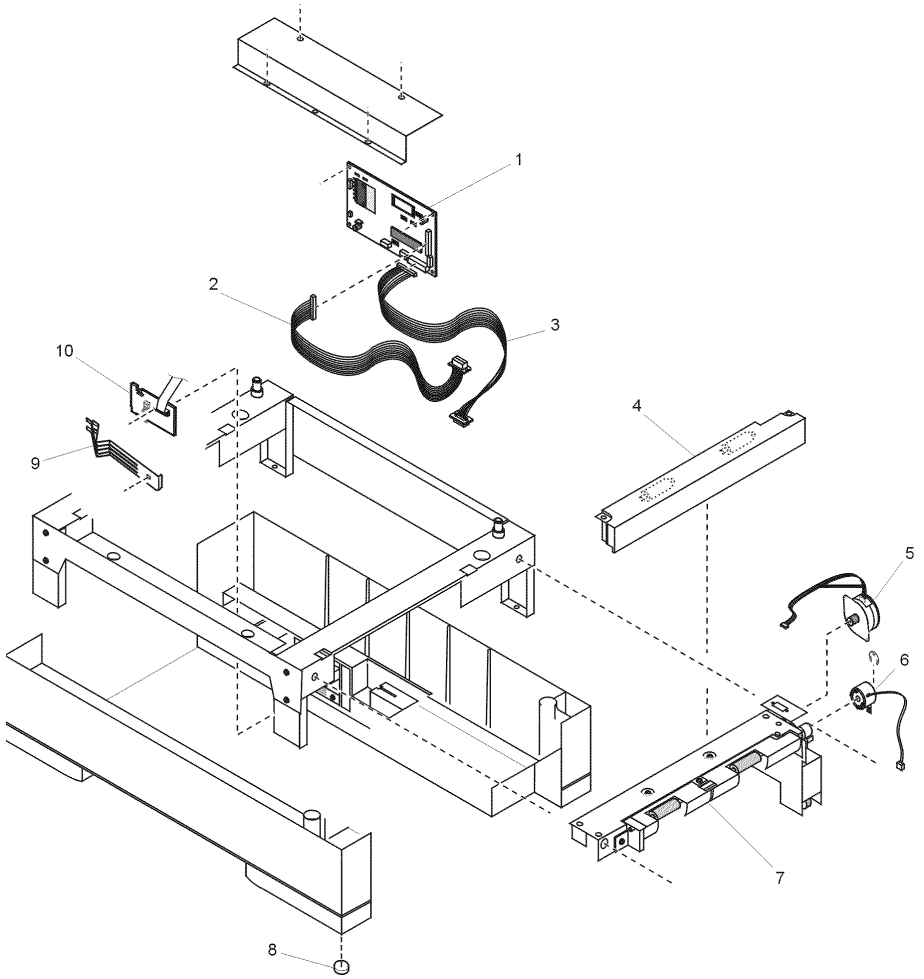


Figure 9 Duplexer unit

Table 10 FRUs of the Lower Tray Assembly

Fig 10 parts	Part number	Name and description
1	140E46240	Feeder Control Board
2	962K00700	Upper Connector w/harness
3	962K00690	Lower Connector w/harness
4	022K79500	Idler Roller Assembly
5	127K40870	Feeder Motor
6	121K26030	Feeder Clutch
7	022K79510	Feeder Drive Assembly
8	017E09930	Foot (4)
9	120E20420	Paper Size Actuator
10	140E45620	Paper Size Sensing Board w/Harness
	050K50630	Paper Tray Cassette
	022K79600	Lower Tray Assembly (with tray)



5013

Figure 10 Lower Tray Assembly FRUs

Table 11 Hardware kit

Part number	Name and description
600K89010	Hardware Kit
-----	LED Assembly Spring Kit (2)
-----	Plastic Roller (2)
-----	Fuser Exit Roller Bushing (L) (1)
-----	Fuser Exit Roller Bushing (R) (1)
-----	Shutter Spring (1)
-----	Fuser Latch Handle Springs (2)
-----	Screw T3x8 (10)
-----	Screw T3x10 (10)
-----	Screw T4x10 (10)
-----	Screw M2x8 (10)
-----	Screw M3x6 (10)
-----	Screw M3x8 (10)
-----	Screw M4x8 (10)
-----	Screw SP3x10 (10)

Table 12 Gear kit

Part number	Name and description
600K89000	Gear Kit
-----	Main Feeder Drive Gear
-----	Gear H1
-----	Gear H2
-----	Fuser Drive Gear (A)
-----	Fuser Drive Gear (B)
-----	Fuser Drive Gear (C)

Table 13 Sensor flag kit

Part number	Name and description
600K88990	Flag Kit
-----	B Reg Entrance Sensor Actuator
-----	A Reg Entrance Sensor Actuator
-----	A Reg Exit Sensor Actuator
-----	Toner Sensor Actuator

Table 14 Harness kit

Part number	Name and description
600K88980	Harness Kit
-----	LED Harness M
-----	LED Harness C
-----	LED Harness Y
-----	LED Harness K
-----	Control Panel Tape Harness
-----	HV Tape Harness
-----	26 pin LED connector
-----	Numerous other harnesses (cables) to be added soon.

Table 15 Customer replaceable consumables

Part number	Name and description
008R12685	Fuser (1235) (110 V)
008R12686	Fuser (1235) (220 V)
006R90293	Standard Toner Cartridge (Black) (1235)
006R90294	Standard Toner Cartridge (Cyan) (1235)
006R90295	Standard Toner Cartridge (Magenta) (1235)
006R90296	Standard Toner Cartridge (Yellow) (1235)
006R90303	Hi Capacity Toner Cartridge (Black) (1235)
006R90304	Hi Capacity Toner Cartridge (Cyan) (1235)
006R90305	Hi Capacity Toner Cartridge (Magenta) (1235)
006R90306	Hi Capacity Toner Cartridge (Yellow) (1235)
013R90132	Imaging Drum (Black) (1235)
013R90133	Imaging Drum (Cyan) (1235)
013R90134	Imaging Drum (Magenta) (1235)
013R90135	Imaging Drum (Yellow) (1235)
016-1934-00	Cyan/Magenta/Yellow Imaging Drum Rainbow Pack (1235)
001R00559	Transfer Belt Unit (1235)
801K01300	Drum/Toner Cartridge Basket